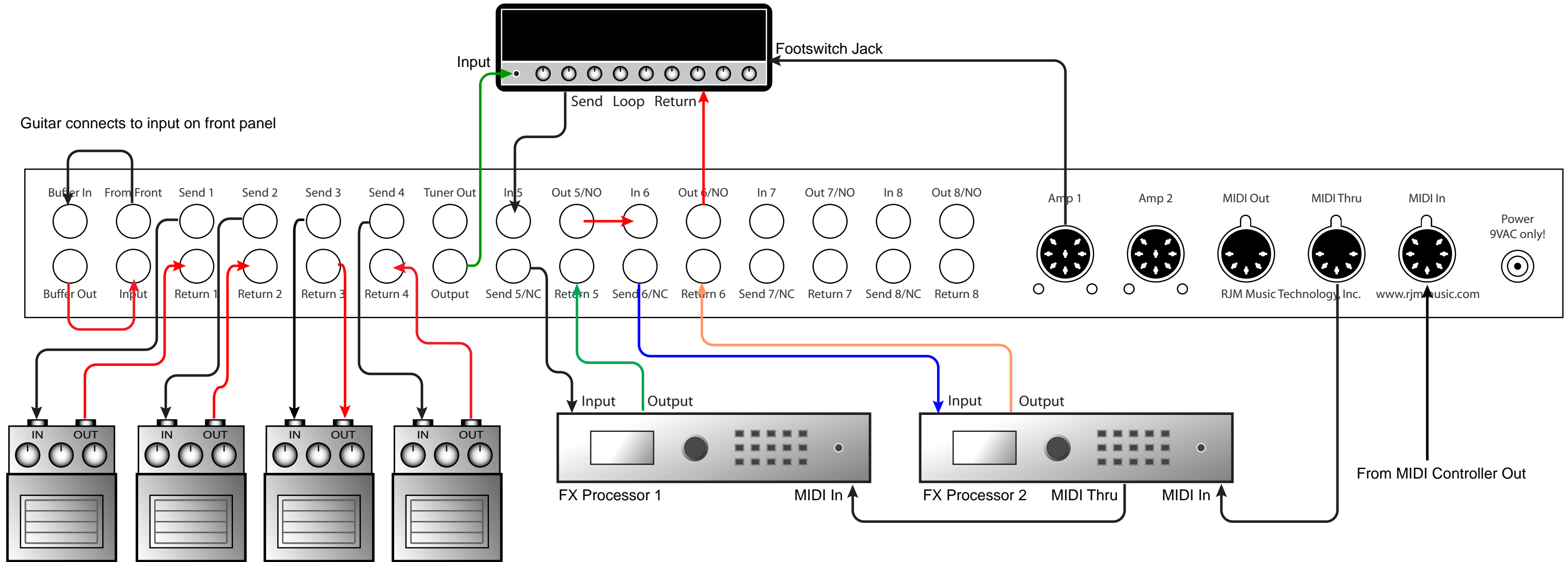




RG-16 Wiring Diagram



RG-16 Wiring Diagram

4 pedals, 2 effects processors (running mono) in the amp's effects loop